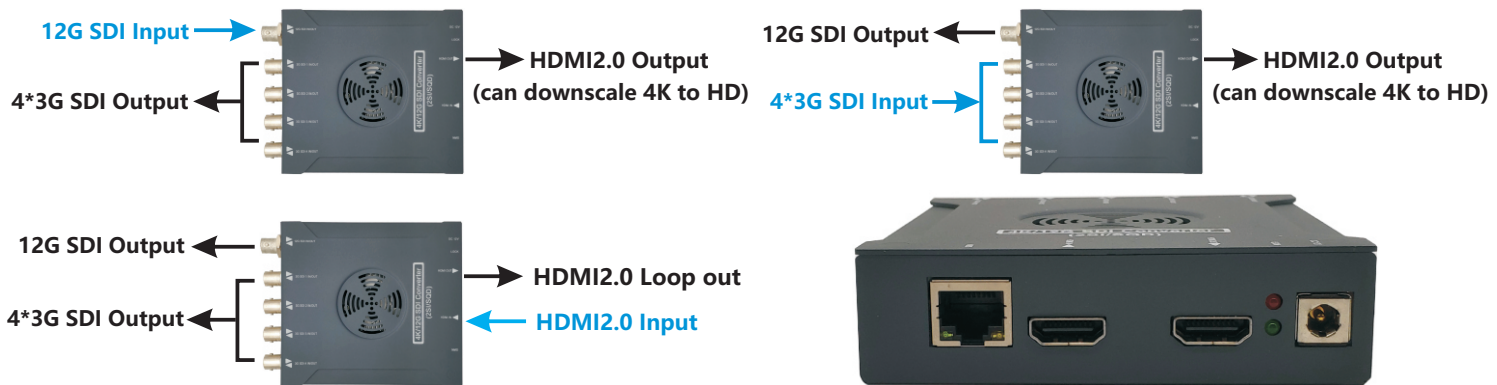


OPR-MHS900 Multi-function Video Converter 4K UltraHD 12G SDI / 4K HDMI 2.0



Overview

OPR-MHS900 is a 12G-SDI / quad-link 3G-SDI / 4K HDMI broadcast quality Multi-function converter, it can downscale the HDMI 4K to 1080P and monitoring on HDTV with built-in downscaler. The OPR-MHS900 widely used in various applications, 4K non-linear editing system, 4K studios, 4K broadcast systems, 4K broadcast vehicles, 4K demo systems and others.

Features

- Support for 4:4:4/4:2:2/4:2:0
- Support 8/10-bit workflows
- Support YUV & RGB
- Support HDMI downscale 4K to 1080P
- HDR signaling metadata pass-through and optional override
- Embedded audio support 24-bit
- Monitor the device status via NMS
- Three year warranty
- **OEM & ODM welcomed.**

Specs

• SDI

1x12G SDI BNC, 4x3G SDI BNC

SMPTE 259M, SMPTE 292M, SMPTE 296M, SMPTE 424M, SMPTE 425MA/B, SMPTE ST-2081, ITU-R BT.656, ITU-R BT.601

• 1xHDMI2.0a Input & 1xHDMI2.0a Output

• SDI & HDMI Support

UHD - 3840x2160p@60/59.94/50/30/29.97/25/24/23.98

• **HD** - 720p@50/59.94/60,

1080i50,1080i59.94,1080i60,1080p@23.98/24/25/29.97/30/50/59.94/60

• Audio

embedded audio, 24-bit

• Size (w x d x h) & Weight

5" x 4" x 1.15" (127 x 101.6 x 30 mm) 1.54lb (0.7 kg)

• Power

DC12V 3A

AC Adapter: 100-240VAC, 50/60 Hz, universal input

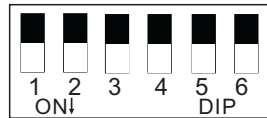
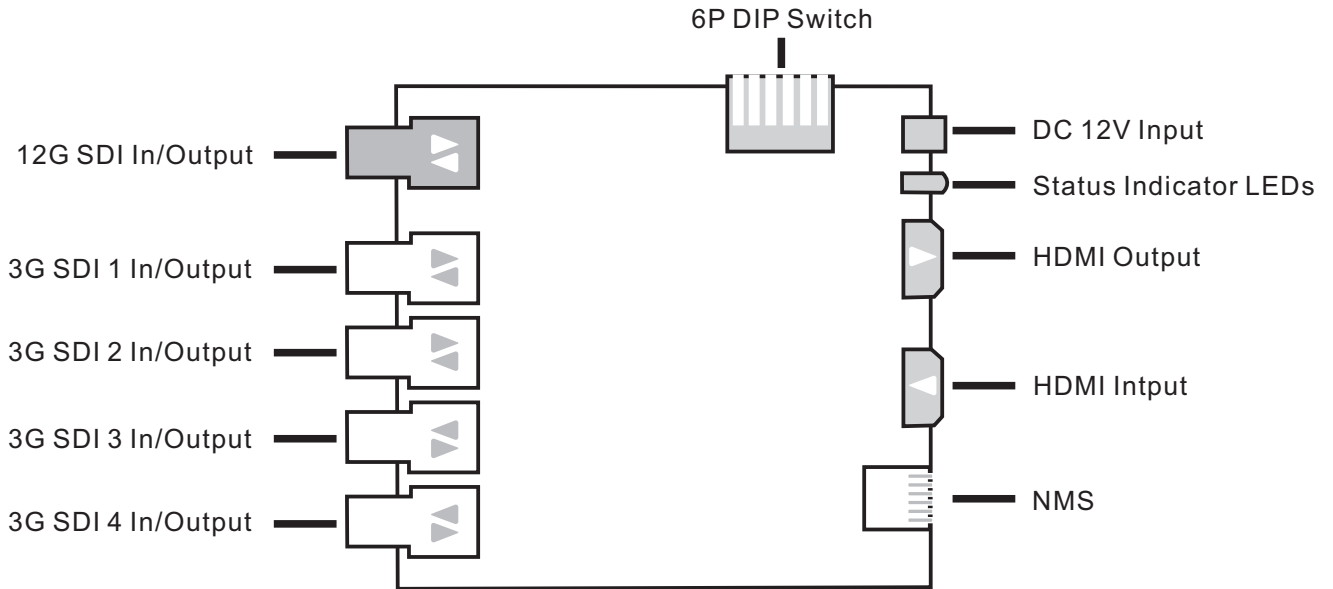
• Environment

Safe Operating Temperature: 0 to 40 C (32 to 104 F)

Safe Storage Temperature (Power OFF): -40 to 60 C (-40 to 140 F)

Operating Relative Humidity: 10-90% noncondensing

Interface & Guide



6P DIP Switch	1	2	3	4	5	6
OFF	12G SDI Input 4*3G SDI & HDMI Output	SDI as Input	Preserved	2SI Input	2 SI Output	HDMI UHD
ON	4*3G SDI Input 12G SDI & HDMI Output	HDMI2.0 as Input 12G SDI & 4*3G SDI Output	Preserved	SQD Input	SQD Output	HDMI HD

- **Status Indicator LEDs**

- Red LED - Power on /off

- Green Led - Input Signals status, flicker - failed, lighting - locked

- **NMS** - Network Monitoring System - IP: 192.168.1.10 username & password - admin